

SC 255-96M

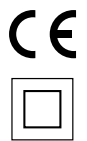
SC 260-96M

SC 265-96M

Product features

- High-performance photovoltaic modules made of monocrystalline silicon solar cells with module efficiencies of up to 15,8 %
- Bypass diodes which minimise the loss in output when shading occurs
- Use of safety glass for long-term weather protection, EVA plastic, weather protection film, as well as anodised aluminium frame
- TÜV-Certified, Protection Class II, CE Marking
- Plus tolerance (0/+3 %)
- 25 years performance guarantee
- 12 years product guarantee

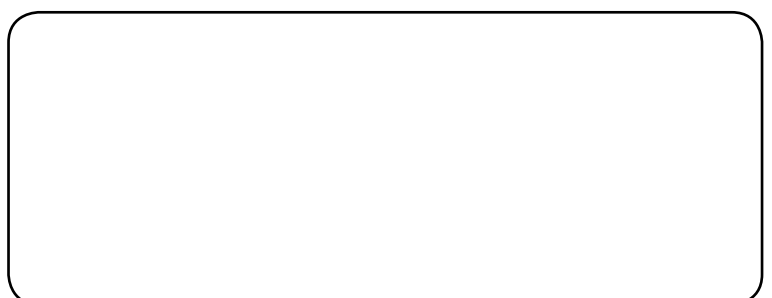
**EDITION 2012
MORE POWER**



Periodic Inspection
IEC 61215 (1000 V)
IEC 61730
Protection Class II (1000 V)
CE Marking

SunClass® high-performance PV modules

Whether for your house, your company or your major project: perfected production technologies, using premium materials and employing efficient cells make SunClass solar modules the right choice for every project size.



Electrical data

Maximum Power (0/+3 %) (P_{max})	255 Wp	260 Wp	265 Wp
Voltage at point of max. power (V_{mpp})	49,2 V	49,7 V	50,2 V
Current at point of max. power (I_{mpp})	5,19 A	5,24 A	5,28 A
Open-circuit voltage (V_{oc})	60,2 V	60,4 V	60,6 V
Short-circuit current (I_{sc})	5,53 A	5,56 A	5,59 A
Maximum system voltage	1000 V	1000 V	1000 V
Module efficiency (η_m)	15,2 %	15,5 %	15,8 %
STC standard test conditions	Irradiance: 1000 W/m ² AM: 1,5 Temperature: 25 °C		

Mechanical data

Length	1580 mm
Height	1066 mm
Width	46 mm
Weight	21 kg
Cable	900 mm / 900 mm (Ø 4mm ²)
Glass	Tempered-glass (3,2 mm)
Foil	EVA
Backsheet	TPT
Frame	Aluminium anodized
Cell	96 pcs., size: 125 x 125 mm (5")
Junction	IP65 junction box with bypass diodes
Connector	MC-4 compatible

Temperature coefficients

α_{Pm}	- 0,5 % / °C
α_{Isc}	+ 0,043 % / °C
β_{Voc}	- 0,34 % / °C



Application areas

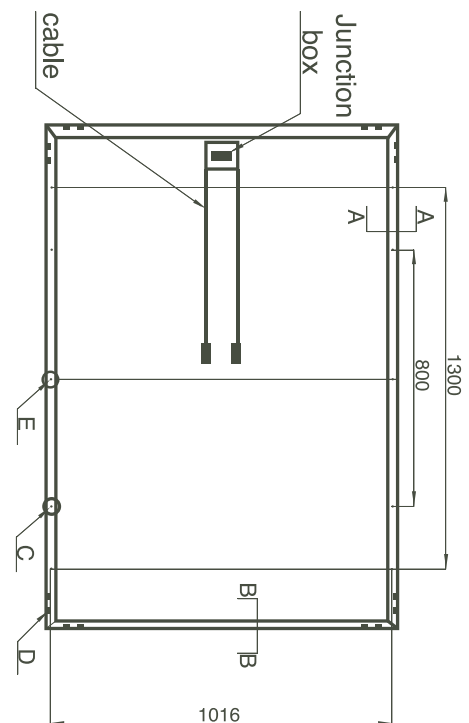
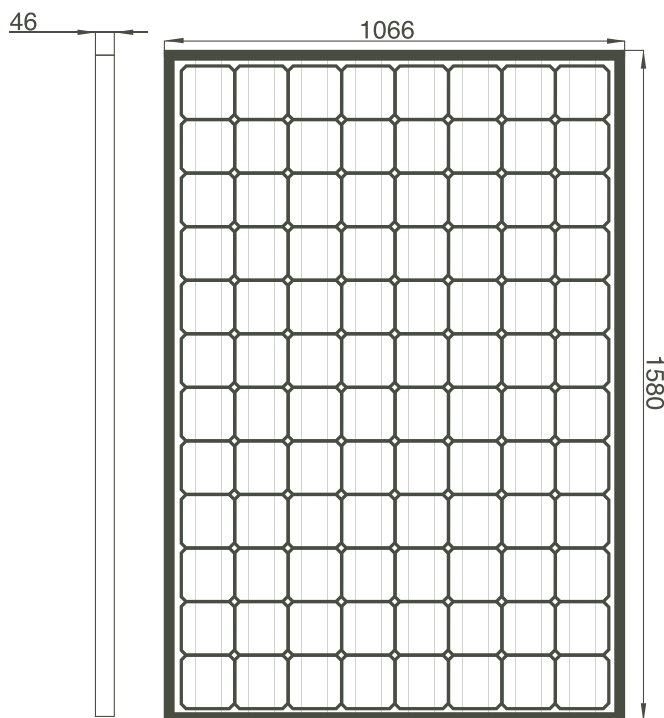
Operating temperature	- 40 °C to + 85 °C
Hail	up to 25 mm hailstone size at 80 km/h
Surface max. stress	540 kg/m ²

Guarantee

Product guarantee	12 years
Performance guarantee	10 years for a power output of 90 %, 20 years for a power output of 83 %, 25 years for a power output of 80 %

Certifications / Qualifications

Periodic Inspection IEC 61215 (1000 V) IEC 61730 Protection Class II (1000 V) CE Marking	 
--	---



Technical specifications as at November 24th 2011, Indemnification: Errors and omissions excepted.